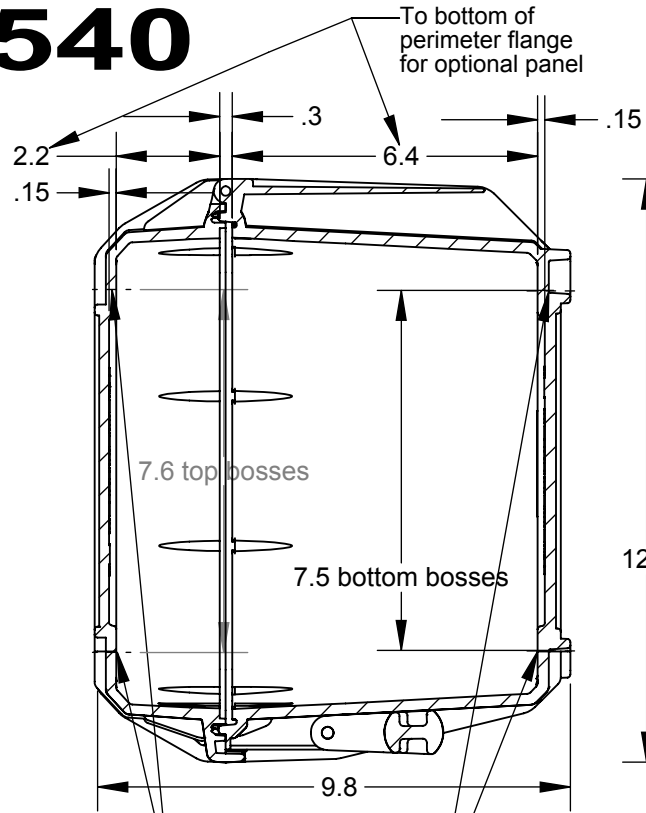
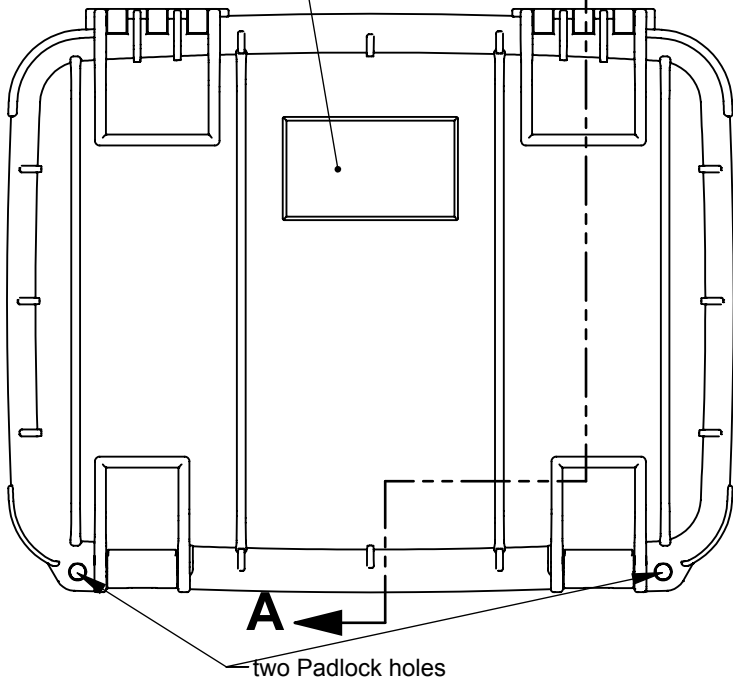
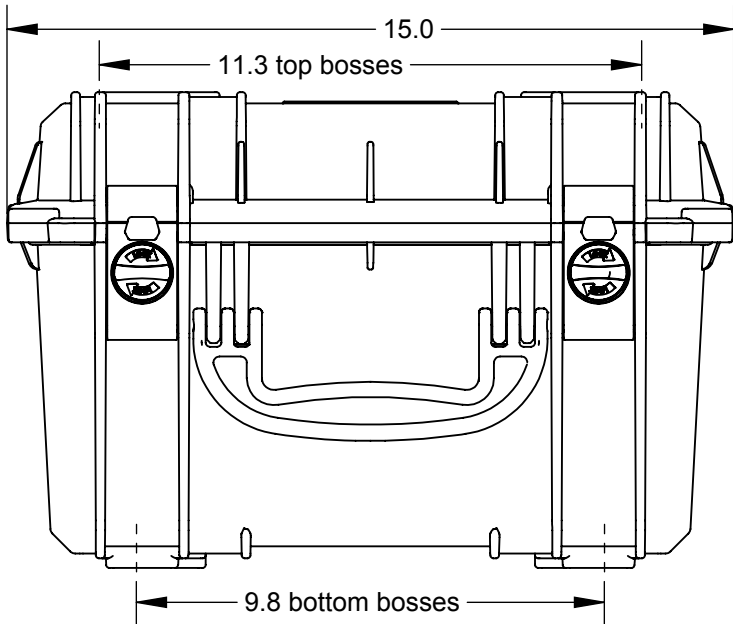
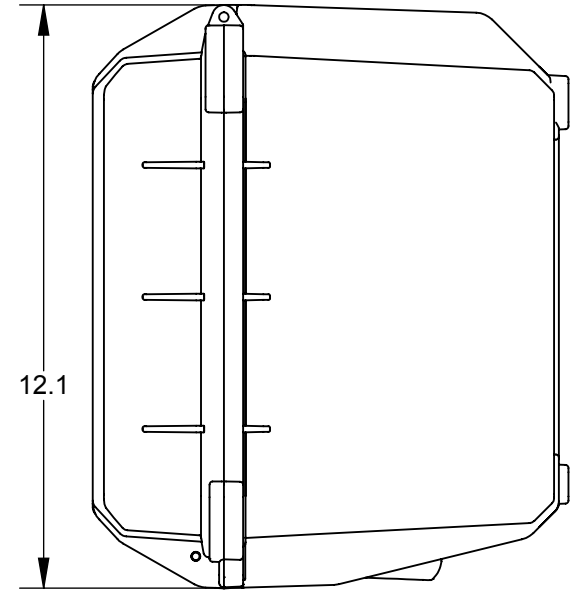


3.5" X 2.0" label area

**A**



**SECTION A\_A**  
for 1/4 self tapping screw



**NOTES:**

- 1) Max. usable inside dimensions are:  
13 1/2" X 9 13/16" X 8 3/8"
- 2) Bosses on top and bottom use a 1/4 self tapping screw.